



RC - 691GD

Service Manual - RC-691GD

NO	PARTNO	QTY	DESCRIPTION	SPEC	SYMBOL
1	10262826	Z	IC POWER	KIA6282K	IC5 IC6
2	1032245	1	IC FM IF	KA2245	IC2
3	1042263	1	IC FM MPX	KA2263/KIA6043	U4
4	10673134	1	I.C. ELEC VR	TDA7313D	IC4
5	1063163	1	I.C. TAPE EQ	LA3161	IC3
6	107904E4	1	IC DSM-904EP		FIC1
7	10E24C01	1	IC KS24C010	SOP 8P	FIC3
8	10B70291	1	IC KIA7029P		FQ1
9	1103805	1	TRANSISTOR	2SC380 Y or O	Q5
10	1101146	4	TRANSISTOR	C114	Q29 Q27 Q31 Q37
11	11A105M4	2	TRANSISTOR	A105M	Q26 Q28
12	1112735	1	TRANSISTOR	A1273	Q10
13	1121203	3	TRANSISTOR	C2120 OR C3203	Q21 Q24 Q20
14	1131995	9	TRANSISTOR	C3199Y KEC	Q23 Q25 Q17 Q18 Q1 Q35 Q36 Q33 Q32
15	11127160	2	TRANSISTOR	A1271	Q22 Q34
16	1190117	3	TRANSISTOR	9011G	Q3 Q4 Q6
17	1112675	1	TRANSISTOR	A1267	Q19
18	11901870	1	TRANSISTOR NPN	9018G	Q2
19	1128785	4	TRANSISTOR	D1303	Q15 Q16 Q38 Q39
20	49718198	1	DETACHABLE CON	FP-VERTICAL CONN	18P PLUG
21	49818198	1	DETACHABLE CON	FP-VERTICAL CONN	18P SOCKET
22	1524148	15	SILICON DIODE	IN4148	D1 D6 D8 D9 D2 D20 D7 D14 D30 D4

					D5 TAPA LW FD2 ENEQ
23	1534001	2	RECTIFIER DIODE	IN4001	D25 D29
24	1561060P	1	GERMANIUM DIODE	IN60P	D3
25	1570051	2	ZENER DIODE	1/2W 5.1V	D31 D32
26	1570056	1	ZENER DIODE	1/2W 5.6V	D10
27	1570100	2	ZENER DIODE	1/2W 10V	D26 D23
28		1	LED LAMP	LED RED Ø3	
29	16771198	1	LCD DISPLAY	FP845 DP (62228)-03	POSITIVE
30	2243022	1	COIL 22mH		L7
31	2213419	1	IFT 7m/m	804-419 YELLOW	E5
32	2213420	1	IFT 7m/m	804-420 RED	E4
33	2213421	1	IFT 7m/m	804-421 PINK	E3
34	2213422	1	I.F.T. 7m/m	804-422 BLACK	E7
35	2244047	2	MICRO INDUCTOR	EC-36 4.7UH	L1 L2
36	31543121	1	CER. CAP. ±20%	120pF 50V	C34
37	31544101	1	CER. CAP. ±20%	100pF 50V	C40
38	31544200	1	CER. CAP. ±20%	20pF 50V	C30 (FM OSC)
39	31544150	1	CER. CAP. ±20%	15pF 50V	C10
40	31544100	3	CER. CAP. ±20%	10pF 50V	C84 FC1 FC2
41	31544103	9	CER. CAP. ±20%	0.01µF 50V	FC6 FC7
					C21 C7 C50 C46 C43 C31 C49
42	31544203	7	CER. CAP. ±20%	0.02µF 50V	C4 C8 C9 C20 C6 C22 C36

43	31544104	15	CER. CAP. $\pm 20\%$	0.1 μ F 50V	C38 FC9 FC5 FC3 C143 C144 C146 C86 C85 C90 C89 C88 C87 C80 C5V
44	31544473	1	CER. CAP. $\pm 20\%$	0.047 μ F 50V	C41
45	31543120	1	CER. CAP. $\pm 10\%$	12pF NPO	C1
46	31544681	1	CER. CAP. $\pm 20\%$	680pF 50V	C5
47	31544030	1	CER. CAP. $\pm 20\%$	3pF 50V	C83
48	31544102	4	CER. CAP. $\pm 20\%$	0.001 μ F	C136 C137 C138 C139
49	31544222	1	CER. CAP. $\pm 20\%$	0.0022 μ F	C145
50	31215104	4	ELEC. CAP. $\pm 20\%$	0.1 μ F 10V	C59 C135 C131 C132
51	31215224	1	ELEC. CAP. $\pm 20\%$	0.22 μ F 10V	C48
52	31215225	9	ELEC. CAP. $\pm 20\%$	2.2 μ F 16V	C110 C100 C96 C109 C147 C148 C99 C149 C150
53	31215335	1	ELEC. CAP. $\pm 20\%$	3.3 μ F 10V	C13
54	31215336	1	ELEC. CAP. $\pm 20\%$	33 μ F 16V	C37
55	31215475	3	ELEC. CAP. $\pm 20\%$	4.7 μ F 16V	C102 C134 C141
56	31215476	6	ELEC. CAP. $\pm 20\%$	47 μ F 16V	C42 C125 C126 C93 C128 C129
57	31924225	3	ELEC. CAP. $\pm 20\%$	2.2 μ F 16V SMALL	C97 C98 C95
58	31924475	2	ELEC. CAP. $\pm 20\%$	4.7 μ F 16V SMALL	C140 C112
59	31225105	3	ELEC. CAP. $\pm 20\%$	1 μ F 16V	C11 C12 C14
60	31225106	3	ELEC. CAP. $\pm 20\%$	10 μ F 16V	C111 C51 C52
61	31225107	8	ELEC. CAP. $\pm 20\%$	100 μ F 16V	C2 C47 MOTOR C94 C106 C107 C103 C142
62	31925107	6	ELEC. CAP. $\pm 20\%$ small	100 μ F 16V	C127 C113 C114 C121 C122 C133
63	31214107	2	ELEC. CAP. $\pm 20\%$	100 μ F 10V	C53 C54
64	31214108	4	ELEC. CAP. $\pm 20\%$	1000 μ F 10V	C116 C115 C119 C120

65	31224228	1	ELEC. CAP. $\pm 20\%$	2200 μ F 25V	C71
66	59701086	1	BAND PASS FILTER	GFMB6	88~108MHz J3
67	31433102	4	MYLAR CAP. $\pm 10\%$	0.001 μ F 25V	C32 C3 C91 C92
68	3311152	3	MYLAR CAP. $\pm 10\%$	0.0015 μ F 25V	C30 C44 C45
69	31433103	4	MYLAR CAP. $\pm 10\%$	0.01 μ F 25V	C39 C33 C15 C16
70	31433472	2	MYLAR CAP. $\pm 10\%$	0.0047 μ F 25V	C17 C18
71	31433223	2	MYLAR CAP. $\pm 10\%$	0.022 μ F 25V	C55 C56
72	31422154	4	MYLAR CAP. $\pm 10\%$	0.15 μ F 25V	C117 C118 C123 C124
73					
74	3451102	1	POLY CAP. $\pm 10\%$	1000pF 50V	C19
75	3455181	1	POLY CAP. $\pm 5\%$	180pF 50V	C29
76	3501600	2	TRIMMER CAP.	60pF CERAMIC	C28 C35
77	3501700	1	TRIMMER CAP.	70pF 7mm	ANT TRIMMER (CRM-1100)
78	41405010	1	RES. 1/2W $\pm 5\%$	1 OHM	R128
79	41405100	1	RES. 1/2W $\pm 5\%$	10 OHM	MOTOR
80	41305101	5	RES. 1/4W $\pm 5\%$	100 OHM	R151 R87 R9 R149 R4
81	41305102	13	RES. 1/4W $\pm 5\%$	1K OHM	R31 R19 R23 R105 R141 L6
					R106 R142 R134 R10 R59 R129 R81
82	41305103	10	RES. 1/4W $\pm 5\%$	10K OHM	R44 R32 R13 R14 R2 R155 R85
					R143 R178 R179
83	41305104	3	RES. 1/4W $\pm 5\%$	100K OHM	R26 R79 R84
84	41305105	2	RES. 1/4W $\pm 5\%$	1M OHM	R171 R172
85	41305124	2	RES. 1/4W $\pm 5\%$	120K OHM	R118 R119
86	41305151	4	RES. 1/4W $\pm 5\%$	150 OHM	R160 R161 R162 R163
87	41305152	2	RES. 1/4W $\pm 5\%$	1.5K OHM	R173 R174

88	41305183	1	RES. 1/4W ±5%	18K OHM	R30
89	41305221	4	RES. 1/4W ±5%	220 OHM	R27 R34 R133 R125
90	41305222	3	RES. 1/4W ±5%	2.2K OHM	R120 R117 R140
91	41305223	12	RES. 1/4W ±5%	22K OHM	R41 R42 R43 R150 R88 R82 R83 R86 R122 R167 R168 R180
92	41305224	3	RES. 1/4W ±5%	220K OHM	R1 R8 R15
93	41305225	1	RES. 1/4W ±5%	2.2M OHM	R3
94	41305331	4	RES. 1/4W ±5%	330 OHM	R89 R5 R6 R7
95	41305332	5	RES. 1/4W ±5%	3.3K OHM	R11 R12 R24 R126 R127
96	41305471	3	RES. 1/4W ±5%	470 OHM	R60 R139 R132
97	41305472	3	RES. 1/4W ±5%	4.7K OHM	R45 R28 R116
98	41305334	1	RES. 1/4W ±5%	330K OHM	R36
99	41305473	6	RES. 1/4W ±5%	47K OHM	R121 R80 R90 R91 R152 R153
100	41305681	1	RES. 1/4W ±5%	680 OHM	R35
101	41305682	4	RES. 1/4W ±5%	6.8K OHM	R40 R38 R18 R107
102	41305683	1	RES. 1/4W ±5%	68K OHM	R39
103	41305684	1	RES. 1/4W ±5%	680K OHM	R25
104	41305821	1	RES. 1/4W ±5%	820 OHM	R138
105	41305912	1	RES. 1/4W ±5%	9.1K OHM	R16
106	41105333	4	RES. 1/16W ±5%	33K OHM	R112 R113 R165 R166
107	41105103	5	RES. 1/16W ±5%	10K OHM	R146 R147 FR17 R145 R148
108	41105104	3	RES. 1/16W ±5%	100K OHM	FR16 R51 R48
109	41105820	2	RES. 1/16W ±5%	82 OHM	R46 R49

110	41105473	6	RES. 1/16W ±5%	47K OHM	FR4 FR1 FR2 FR3 R92 R93
111	41105562	4	RES. 1/16W ±5%	5.6K OHM	R47 R50 R108 R109
112	41105563	2	RES. 1/16W ±5%	56K OHM	FR8 FR9
113	41105561	1	RES. 1/16W ±5%	330 OHM	FR5
114	41105102	1	RES. 1/16W ±5%	1K OHM	FR6
115	41105564	1	RES. 1/16W ±5%	1M OHM	FR11
116	45466000	8	LAMP 6.3V 60MA Ø2.6		
117	83810285	8	GREEN LAMP CAP Ø2.6		
118	4411503	1	SEMI-FIXED(065) SC-065 50KB SILVER TYPE VR1		
119	4411502	1	SEMI-FIXED(065) SR-065 5K SILVER TYPE VR2		
120	52611250	8	TACT S/W 5mm 2P	180g	LOC, LOUD, V+, V-, MUTE, MODE, MONO. TAPE
121	52525002	2	TACT S/W 5mm 2P	180g	SMD POWER BAND
122	52712022	1	PUSH S/W 7X7	2212N NON-LOCK	
123	3653001	1	ANTENNA JACK		DOUBLE SCREW
124	40TN717S	1	DECK MECHANISM	AUTO REVERSE PULL-OUT	
125	50114110	1	P.C.B. MAIN		CRM-1198
126	50120140	1	P.C.B. CONNECTOR		CRM-1198
127	50120230	1	P.C.B. FRONT		CRM-1198
128	50120190	1	P.C.B SWITCH		CRM-1198
129	5808028	1	METAL TUNER		TEU-250-B17
130	59021077	2	CER. FILTER TDK	SFE10.7MJA10-A	E1 E2
131	59044503	1	CER. FILTER TDK	450KHz SFU450B	E6

132	59194196	1	XTAL 4.194304Hz		Z2
133	46828070	1	70mm GRAY	SINGESHIELD WIRE	ANTENNA
134	4651805	1	RAINBOW WIRE	5PIN 3+50+10	FM FRONT END
135	46034110	2	RAINBOW WIRE	4PIN 3+110+10	OSC/RE
135	49903090	1	3P H'ING P2.5mm	1xSH 2x28 90mm	DECK HEAD
136	49003041	1	3P WAFER P2.5mm		J1
137	49006041	1	6P WAFER P2.5mm		J2
138	49D12ROD	1	ISO 16P W/12P WIRE		NO FILTER BOX 10.Feb.1999
138	49505198	1	6P DECK WIRE ASS'Y FOR A/R		
139	2240EI19	1	EI 19mm CHOKE TRANS		
140	46131090	3	JUMPER WIRE #26	BROWN 7-80-3	DAN. 5V AV
141	46132090	2	JUMPER WIRE #26	RED 7-80-3	TAPE, T/D
141	46133090	1	JUMPER WIRE #26	ORG 7-80-3	AOS
142	46134191	2	JUMPER WIRE #26	YEL 7-180-3	ST IN DATA
143	46135090	2	JUMPER WIRE #26	GRN 7-80-3	MUTE CLK
144	46136090	1	JUMPER WIRE #26	BLUE 7-80-3	BAND
145	46137090	2	JUMPER WIRE #26	VIOLET 7-80-3	LOC GND
145	46138090	2	JUMPER WIRE #26	GRAY 7-80-3	GND GND
146	46139090	2	JUMPER WIRE #26	WHITE 7-80-3	VCC PCON
147	46130090	2	JUMPER WIRE #26	BLK 7-80-3	LED AT
148	46133191	1	JUMPER WIRE #26	ORG 7-180-3	MONO
148	46136100	1	JUMPER WIRE #26	BLUE3-100-3	FM OSC
149	46140050	1	JUMPER WIRE #24	BLK 7-40-7	GND
150	46140080	1	JUMPER WIRE #24	BLK 7-70-7	GND

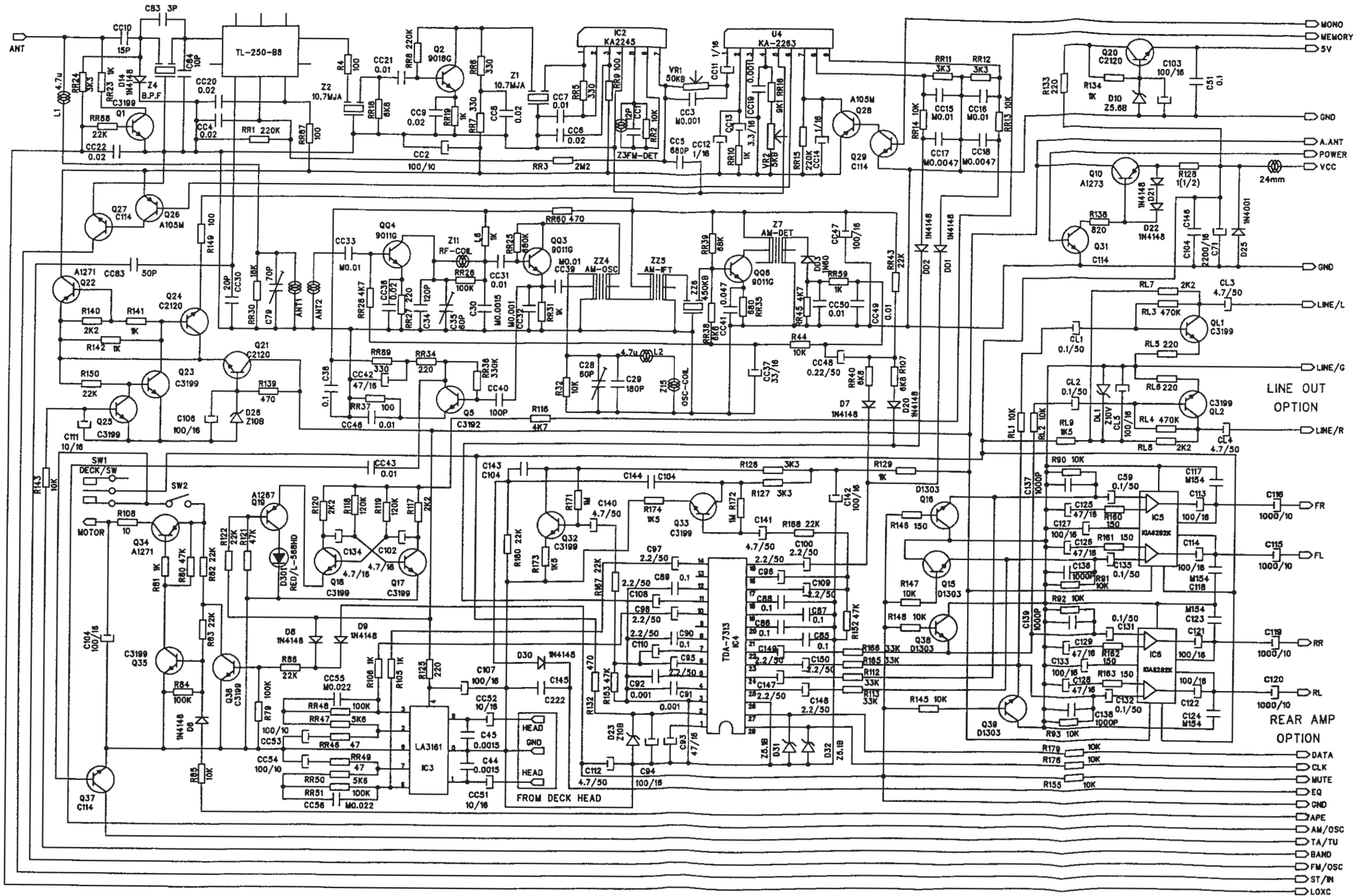
151	61198030	1	BASE PANEL	P.C (BLACK)
152	61198010	1	NOSE PIECE	ABS (BLACK)
153	61198020	1	NOSE PIECE BACK	P.C (BLACK)
154	61198660	1	MAIN REFLECTOR	ACRYL CLEAR
155	61198570	1	LCD WINDOW	ACRYL CLEAR
156	61198680	1	TUNE REFLECTOR	ACRYL MILK WHITE
157	61198670	1	EJECT REFLECTOR	ABS (BLACK)
158	61198690	1	FF/REW REFLECTOR	ABS (BLACK)
159	63800020	1	TRIM COVER	ABS (BLACK) 3810 COM.
160	61198430	1	VOL DWN KNOB	ABS NATURAL
161	611987410	1	SELECTOR KNOB	ABS NATURAL
162	61198420	1	VOL UP KNOB	ABS NATURAL
163	61198390	1	MUTE KNOB	ABS NATURAL
164	61198360	1	BAND KNOB	ABS NATURAL
165	61198400	1	POWER KNOB	ABS NATURAL
166	61198370	1	LOC KNOB	ABS NATURAL
167	61198380	1	LOUD KNOB	ABS NATURAL
168	61198490	1	TUNING KNOB	ABS BLACK
169	61198500	1	TUNING KNOB (R)	ABS BLACK
170	61198480	1	RELEASE KNOB	ABS BLACK
171	61198470	1	PUSH KNOB	ABS BLACK
172	61198440	1	EJECT KNOB	ABS BLACK
173	63003000	1	NOSE PIECE CASE	P.P BLACK 3003COM.
174	61198960	1	FRONT GEAR	P.C (BLACK)
175	63800980	1	MIDDLE GEAR	P.C (BLACK)
176	63800800	1	MIRCRO DAMPER ASS'Y	

177	66522450	1	HOOK (L)		P.C (BLACK) 3850COM.
178	63800970	1	HOOK (R)		P.C (BLACK) 3850COM.
179	66522420	1	REW KNOB		ABS BLACK 3850COM.
180	66522430	1	FF KNOB		ABS BLACK 3850COM.
181	71198330	1	TOP COVER		EGI T0.6
182	71198320	1	BOTTOM COVER		EGI T0.6
183	71198340	1	SIDE CHASSIS (L)		EGI T1.0
184	71198450	1	SIDE CHASSIS (R)		EGI T1.0
185	71198350	1	RELEASE CHASSIS		T1.0 BLACK COATING
186	76522388	1	DECK BRACKET		EGI T1.0 3850COM.
187	71198360	1	DECK BRACKET (L)		EGI T1.0
188	71198370	1	DECK BRACKET (R)		EGI T1.0
189	71198400	1	FRONT BRACKET (L)		EGI T1.0
190	71198410	1	FRONT BRACKET (R)		EGI T1.0
191	71198430	1	HOOK BRACKET		T1.0 BLACK COATING
192	71198440	1	EJECT LEVER		EGI T0.8
193	71198420	1	TUNER BRACKET		EGI T1.2
194	71198450	1	BACK CHASSIS		EGI T1.0
195	73800430	2	SIDE BRACKET		SUS T0.5 3810 COM.
196	71198461	1	SHIELD BRACKET		SPTH T0.4
197	73810340	1	LOCK SPRING		SUS T0.4 3810 COM.
198	84046274	2	HEAT SINK		ALP T2.0 1004 COM.
199	71008375	1	SET KEY		EGI T1.2 1008 COM.
200	70028046	1	MOUNTING STRIP		EGI.T1.2 1001 COM.
201	70028039	1	SLEEVE CASE		EGI T0.6 3001COM.
202	70028026	1	CORD CLAMPER (ST)		EGI T1.0 1001 COM.

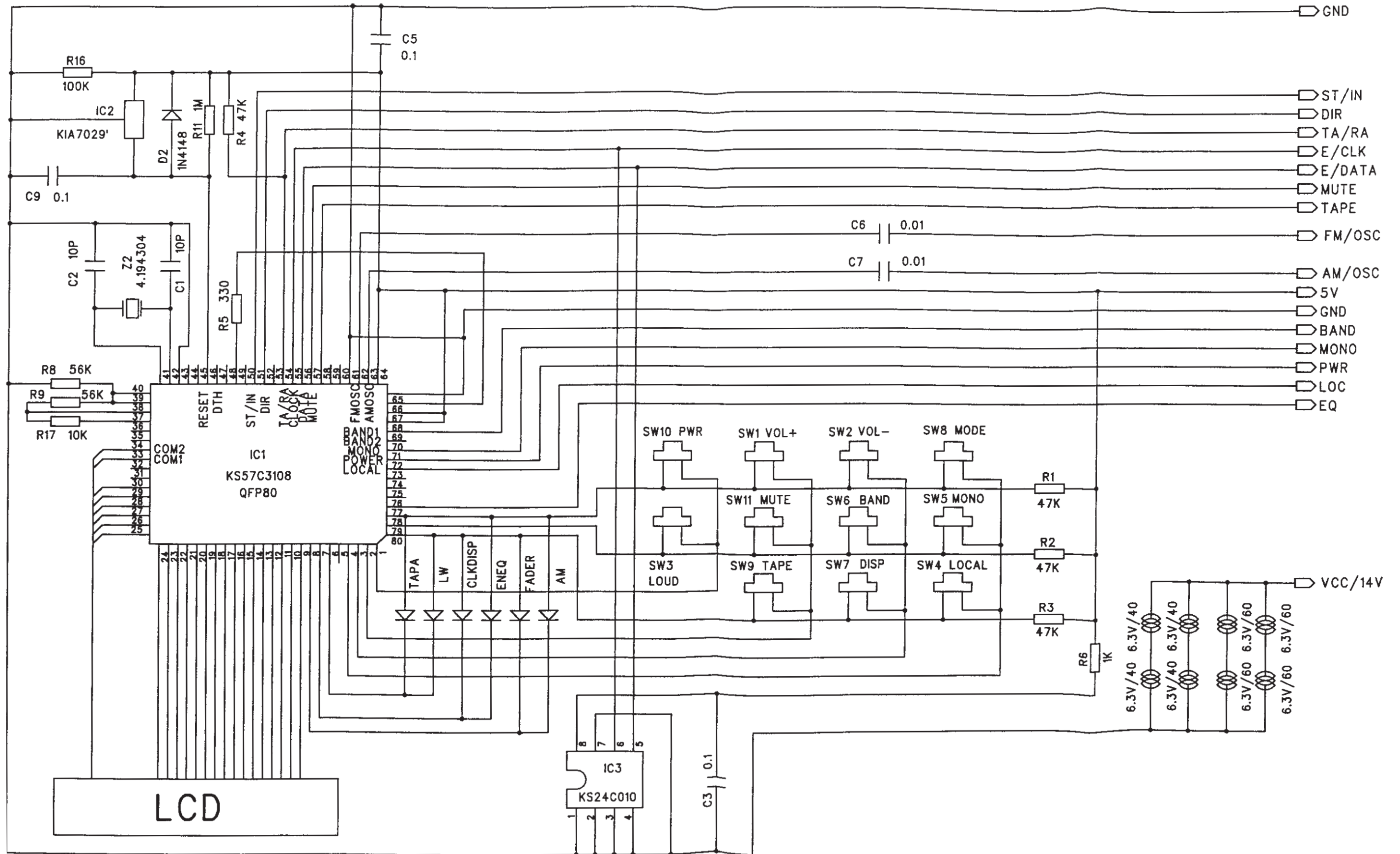
203	81198711	1	MAIN FIBER		FIBER T0.5
204	81198710	2	BAND KNOB COVER (B)		P.V.C BLACK T0.25
205	81198708	1	LAMP COVER (C)		BLACK PAPER
206	81198706	1	LAMP COVER (B)		DRAW PAPER (WHITE)
207	81198721	1	TUNING KNOB COVER		DRAW PAPER (WHITE)
208	81198722	1	KNOB COVER		DRAW PAPER (WHITE)
209	81198720	1	KNOB SPONGE		SPONGE T3.0
210	81198709	0	BAND KNOB COVER (A)		FIBER T0.5
211	81198725	1	CONNECTOR COVER		PAPER BLACK
212	81198701	3	TUNER BKT POST		BSBM
213	81198600	1	RELEASE SPRING		SUS T0.7
214	81198702	1	FRONT BKT (L) POST		BSBM
215	81198703	1	FRONT BKT (R) POST		BSBM
216	83800730	2	GUIDE SHAFT		BSBM 3810 COM. (24.5mm)
217	83800700	1	HOOK SHAFT		BSBM 3810 COM.
218	83800720	1	GEAR SHAFT		BSBM 3810 COM.
219	73800610	2	GUIDE SPRING		SUS T0.7 BLACK 3810 COM.
220	73800630	1	FF/REW SPRING		SUS T0.3 (FOR REL KNOB 3810 COM.)
221	73800600	1	HOOK SPRING		SUS T0.35 3810 COM.
222	93005028	2	CASE SUSHION (B)		SPONGE 3005 COM.
223	80038130	2	CASE SUSHION		SPONGE T15 3001 COM.
224	90028003	2	SNOW BOX		SIZE 285X84 1001 COM.
225		1	CARTON BOX (1/6)		
226	90038112	1	POLY BAG		OPEN 2.5"X6"XT0.004
227	90038122	1	POLY BAG		OPEN 11"X14"XT0.004
228	91001020	1	POLY BAG		OPEN 7"X10.5"XT0.05

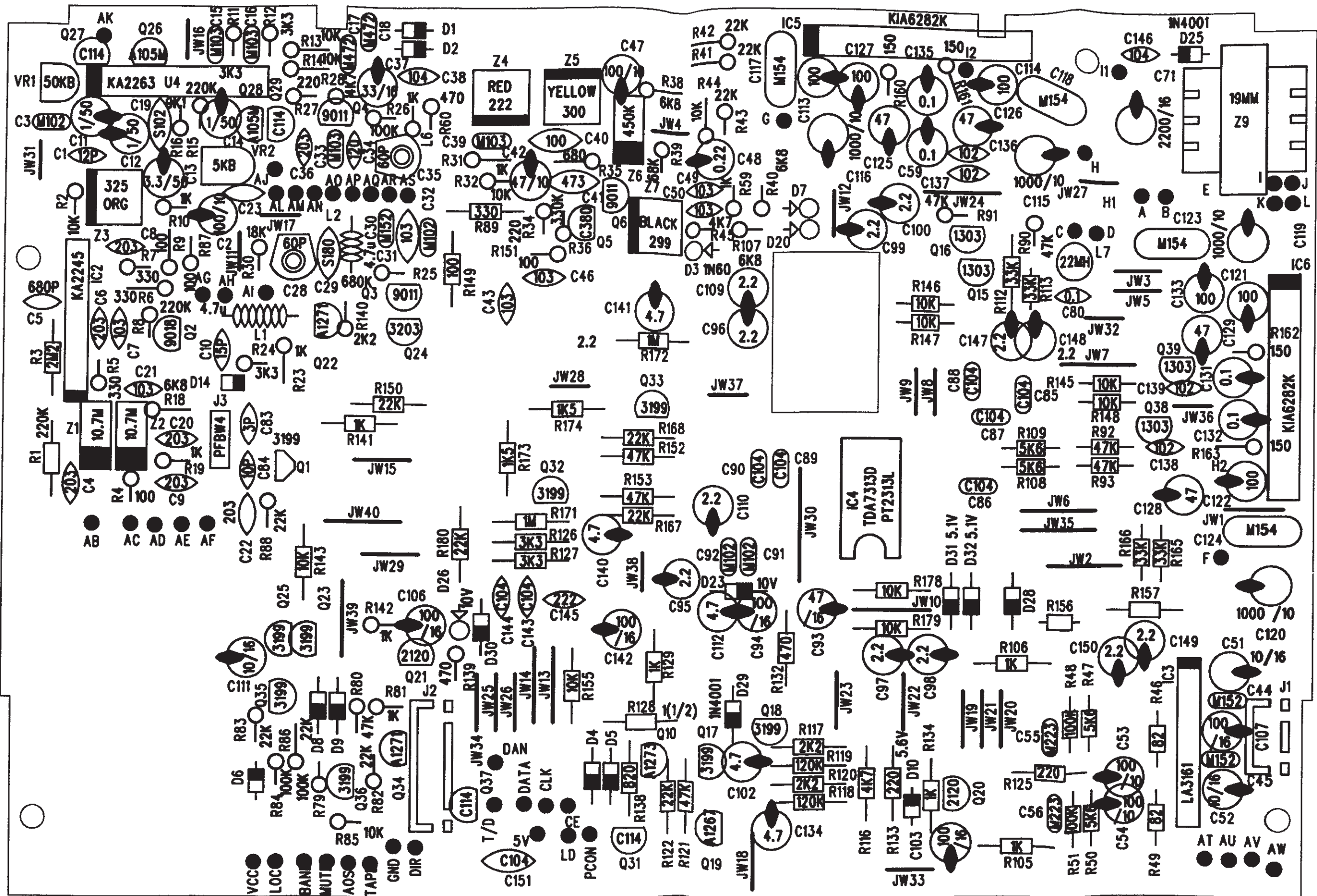
229	90038123	1	GIFT BOX		
230		1	INST'S MANUAL		
231		1	TOP LABEL		
232		1	WARRANTY LABEL		
233		1	AZIMUTH LABEL		
234		1	ANTENNA TRIMMER LABEL		
235	00322004	1	SCREW: TTP 2X4 TAP TYPE		SHIELD BKT:1
236	00222003	3	SCREW: TS 2X3PB		LOCK SPRING:3
237	00122008	4	SCREW: TS 2X8PA (BLACK)		N/BACK :4
238	00222004	8	SCREW: TS 2X4 PB		BASE PANEL:8
239	00323005	15	SCREW: TTP 3X5 TAP TYPE		
240	00125016	1	SCREW: TS 5X16PA		ACC:1
241	00122003	6	SCREW: MS 2X3PM (BLACK)		HOOK:4, DAMPER:2
242	00122603	1	SCREW: MS 2.6X3PM		EJECT LEVER:1
243	00123004	11	SCREW: MS 3X4(5.5X1X4)		B/PANEL:4, DECK:6, TUNER:1
244	00123006	2	SCREW: MS 3X6 PM (BLACK)		DECK BKT:2
245	00143004	5	SCREW: MS 3X4 KM		TUNER:5
246	00123008	2	SCREW: MS 3X8 PM		IC:2
247	00140406	4	SCREW: MS 4X6 KM		SIDE BKT. :4
248	00125015	1	HEX BOLT 5X16mm		SET:1
249	01300625	2	NUT (M3)		IC:2
250	04508016	2	NUT (M5)		SET:1 , ACC:1
251	02160914	3	SPRING WASHER (Ø5.2)		SET:1, ACC:2
252	02521005	3	PLATE WASHER (Ø5.2)		SET:1, ACC:2
253	02225003	3	P.V.C WASHER		Ø2.2XØ5 ONC CUTTING
254	02308010	1	P.V.C WASHER		Ø3.0XØ8.0XT1.0 1008COM.

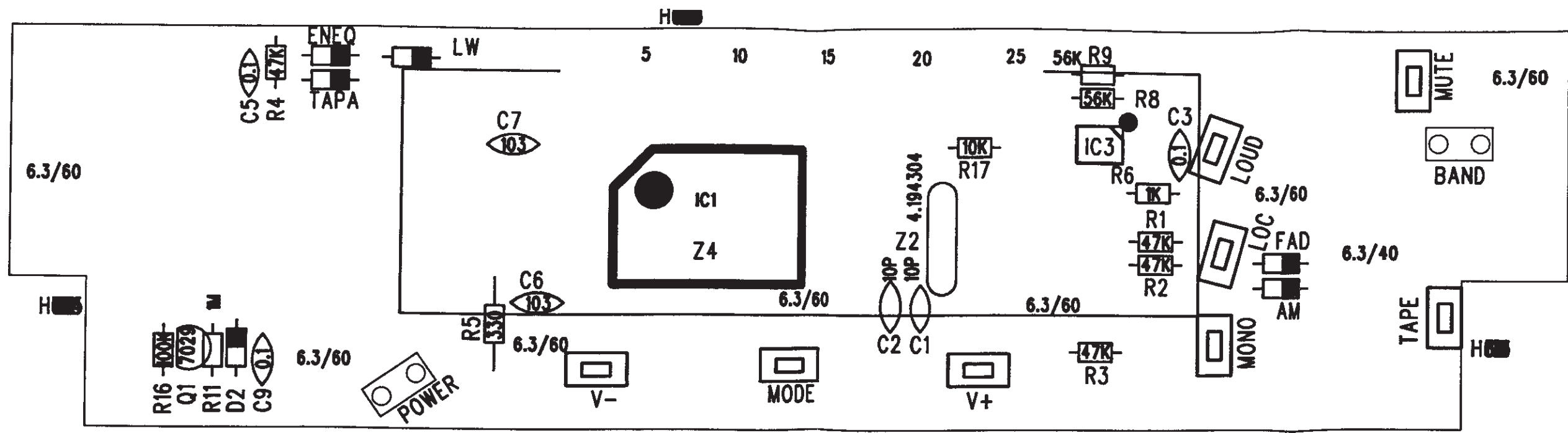
SCHEMATIC DIAGRAM



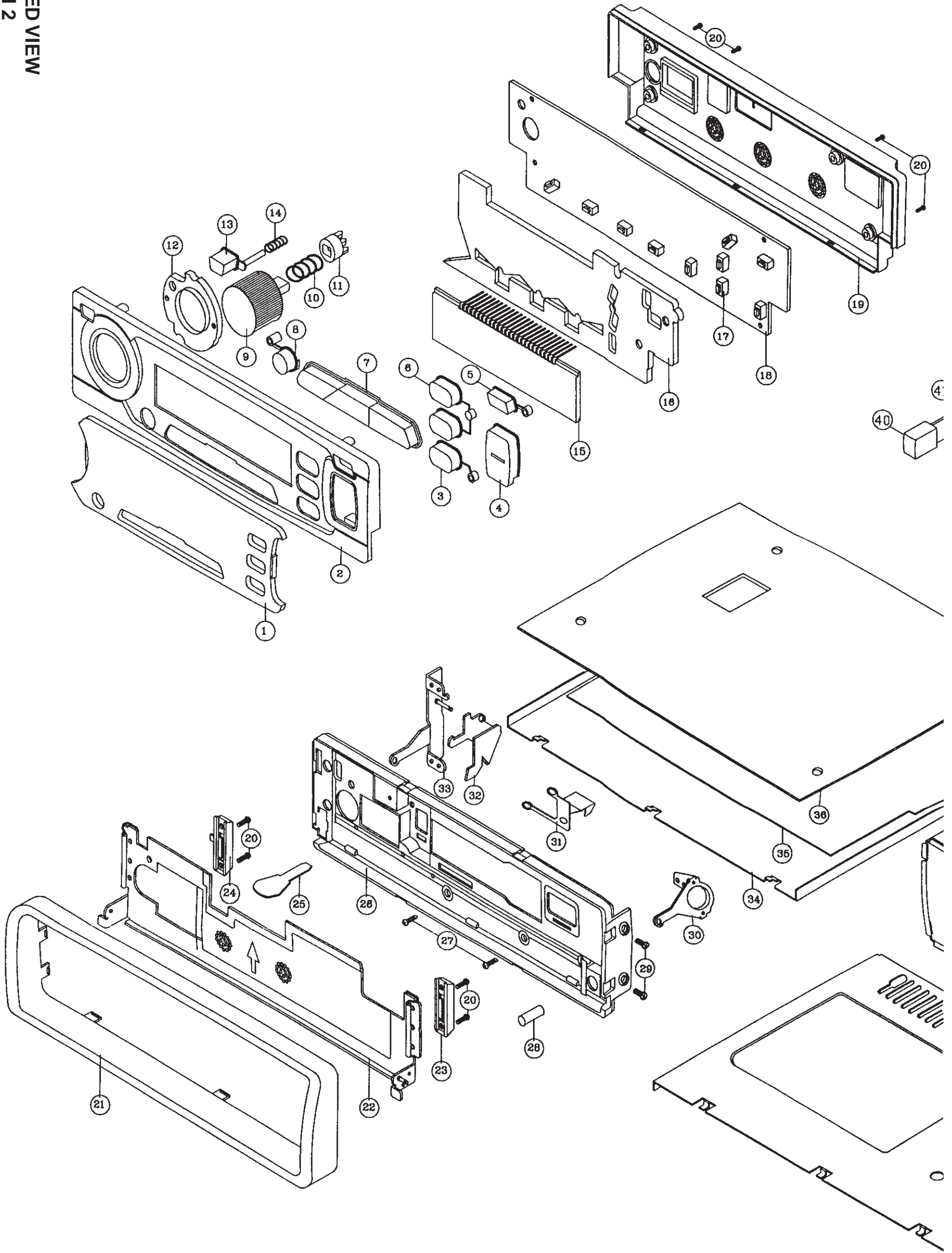
SCHMATIC DIAGRAM



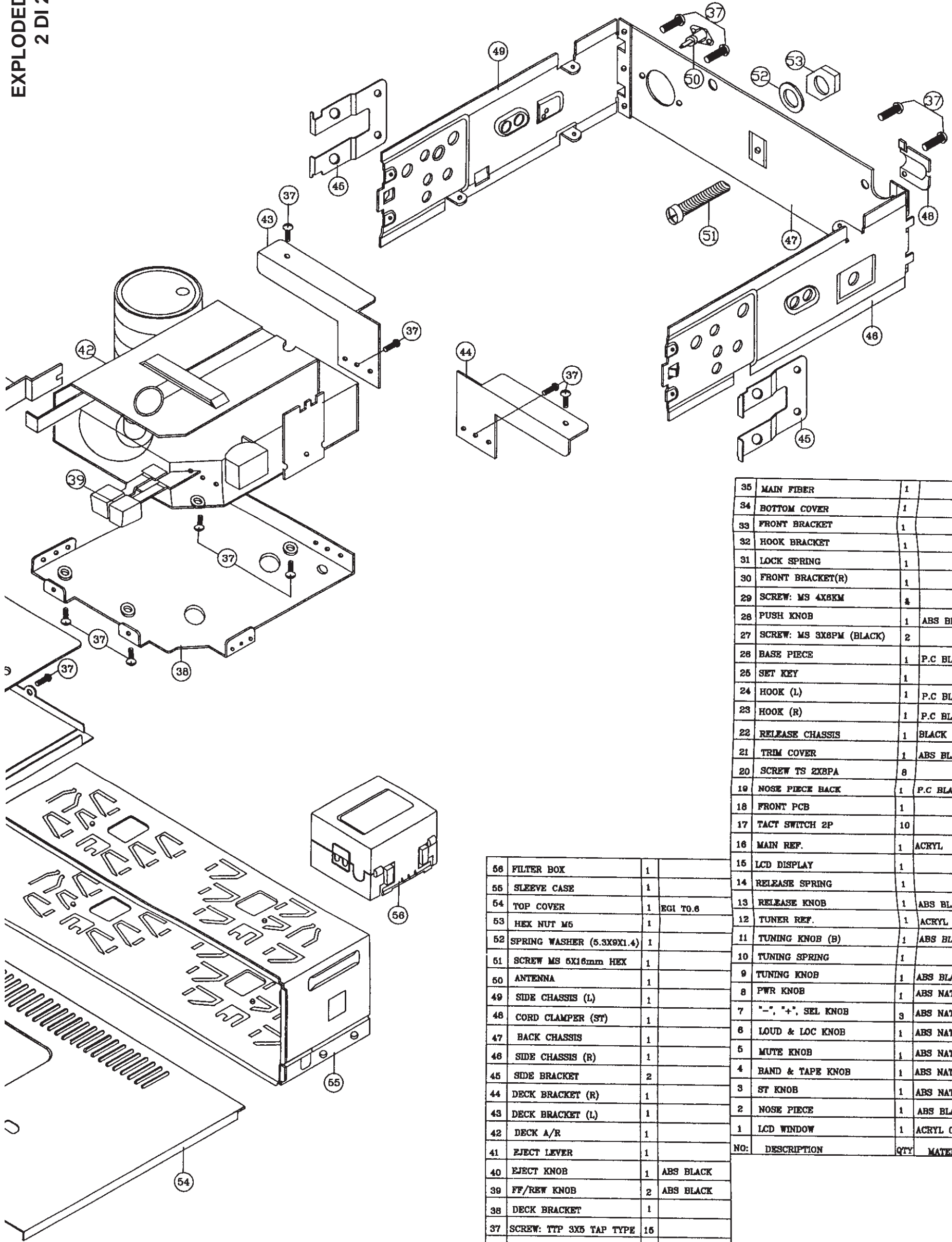




EXPLODED VIEW
1 D12



EXPLODED VIEW
2 DI 2



35	MAIN FIBER	1	
34	BOTTOM COVER	1	
33	FRONT BRACKET	1	
32	HOOK BRACKET	1	
31	LOCK SPRING	1	
30	FRONT BRACKET(R)	1	
29	SCREW: MS 4X8KM	4	
28	PUSH KNOB	1	ABS BLACK
27	SCREW: MS 3X8PM (BLACK)	2	
26	BASE PIECE	1	P.C BLACK
25	SET KEY	1	
24	HOOK (L)	1	P.C BLACK
23	HOOK (R)	1	P.C BLACK
22	RELEASE CHASSIS	1	BLACK COATING
21	TRIM COVER	1	ABS BLACK
20	SCREW TS 2XBPA	8	
19	NOSE PIECE BACK	1	P.C BLACK
18	FRONT PCB	1	
17	TACT SWITCH 2P	10	
16	MAIN REF.	1	ACRYL
15	LCD DISPLAY	1	
14	RELEASE SPRING	1	
13	RELEASE KNOB	1	ABS BLACK
12	TUNER REF.	1	ACRYL
11	TUNING KNOB (B)	1	ABS BLACK
10	TUNING SPRING	1	
9	TUNING KNOB	1	ABS BLACK
8	PWR KNOB	1	ABS NATURAL
7	"-", "+", SEL KNOB	3	ABS NATURAL
6	LOUD & LOC KNOB	1	ABS NATURAL
5	MUTE KNOB	1	ABS NATURAL
4	BAND & TAPE KNOB	1	ABS NATURAL
3	ST KNOB	1	ABS NATURAL
2	NOSE PIECE	1	ABS BLACK
1	LCD WINDOW	1	ACRYL CLEAR
NO:	DESCRIPTION	QTY	MATERIAL
56	FILTER BOX	1	
55	SLEEVE CASE	1	
54	TOP COVER	1	EGI TO.6
53	HEX NUT M5	1	
52	SPRING WASHER (5.3X9X1.4)	1	
51	SCREW MS 5X16mm HEX	1	
50	ANTENNA	1	
49	SIDE CHASSIS (L)	1	
48	CORD CLAMPER (ST)	1	
47	BACK CHASSIS	1	
46	SIDE CHASSIS (R)	1	
45	SIDE BRACKET	2	
44	DECK BRACKET (R)	1	
43	DECK BRACKET (L)	1	
42	DECK A/R	1	
41	EJECT LEVER	1	
40	EJECT KNOB	1	ABS BLACK
39	FF/REW KNOB	2	ABS BLACK
38	DECK BRACKET	1	
37	SCREW: TTP 3X5 TAP TYPE	16	
36	MAIN PCB	1	