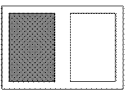
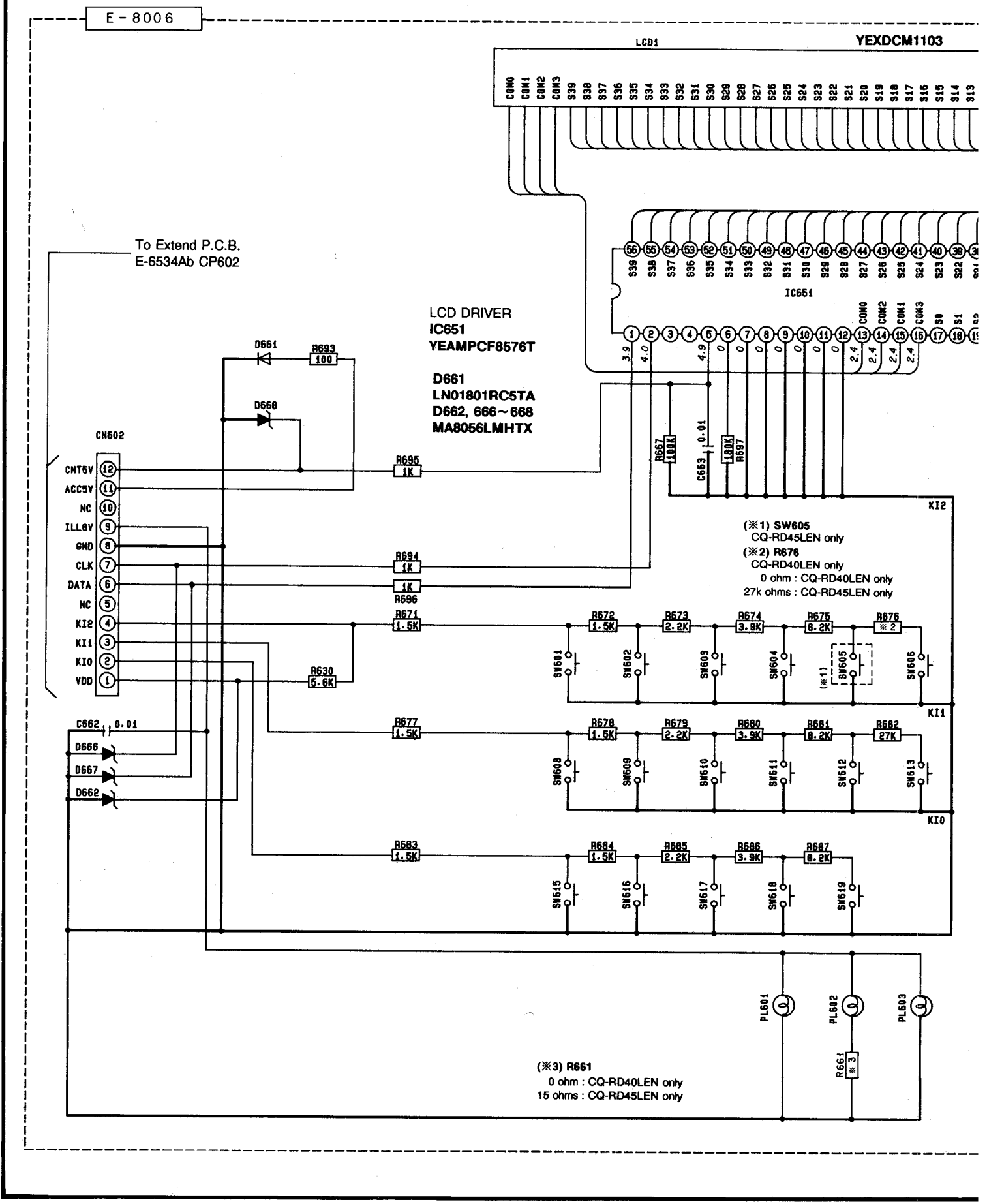
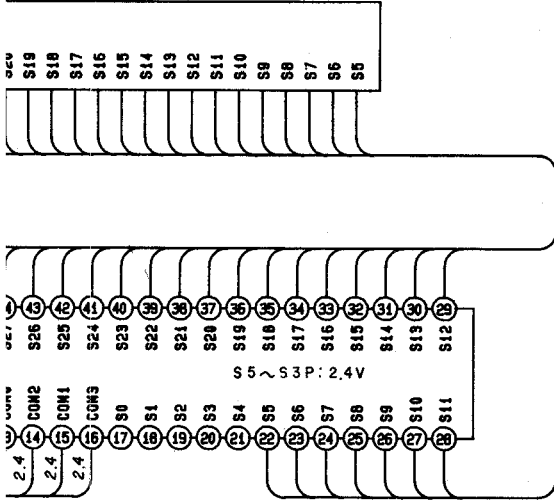


SCHEMATIC DIAGRAM / SCHALTBILT MODELS CQ-RD40/45LEN (Display Blo

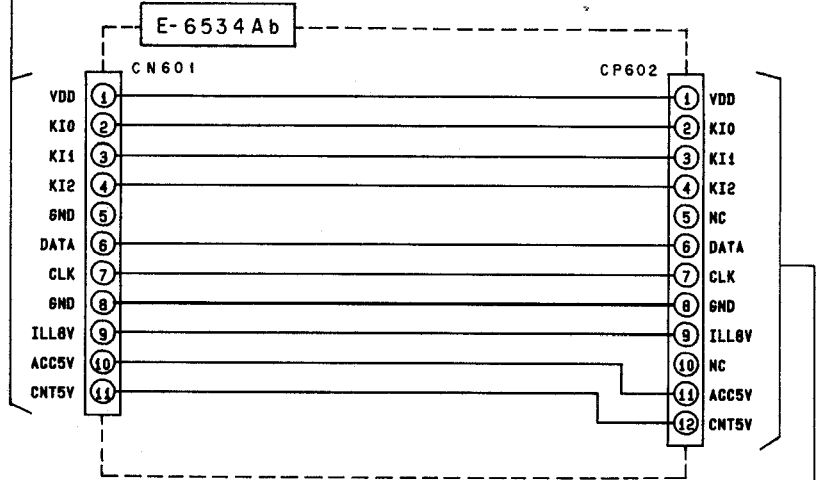


Display Block)

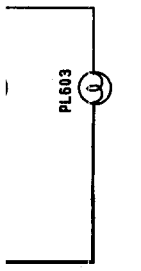
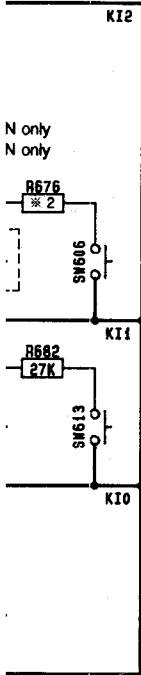
EXDCM1103



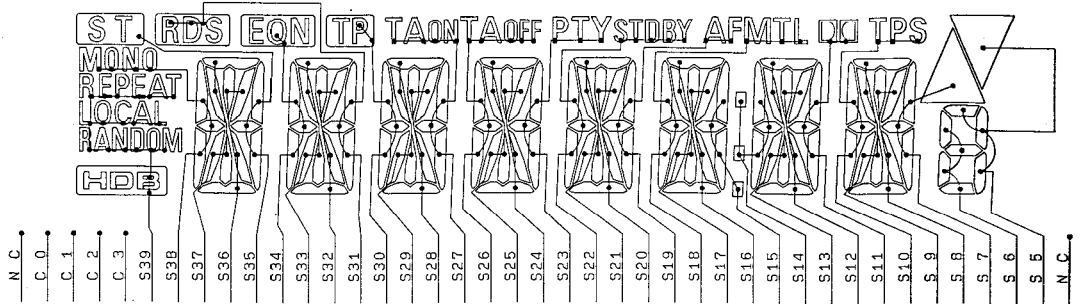
To Main P.C.B.
E-6534Aa CN601



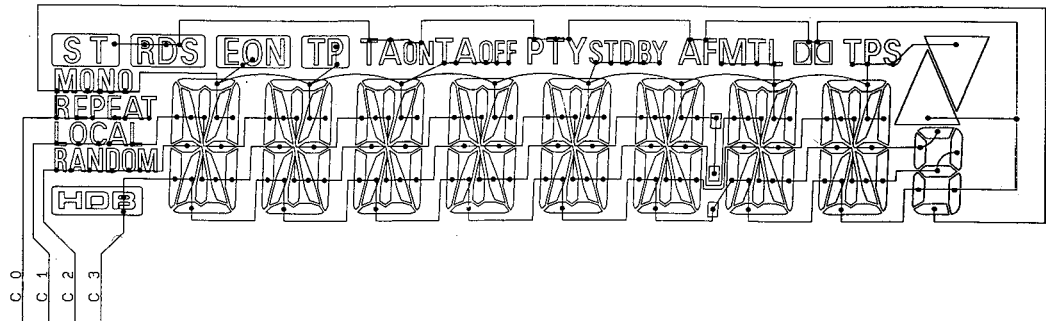
To Display P.C.B.
E-8006 CN602



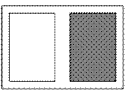
SEGMENT



COMMON



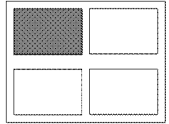
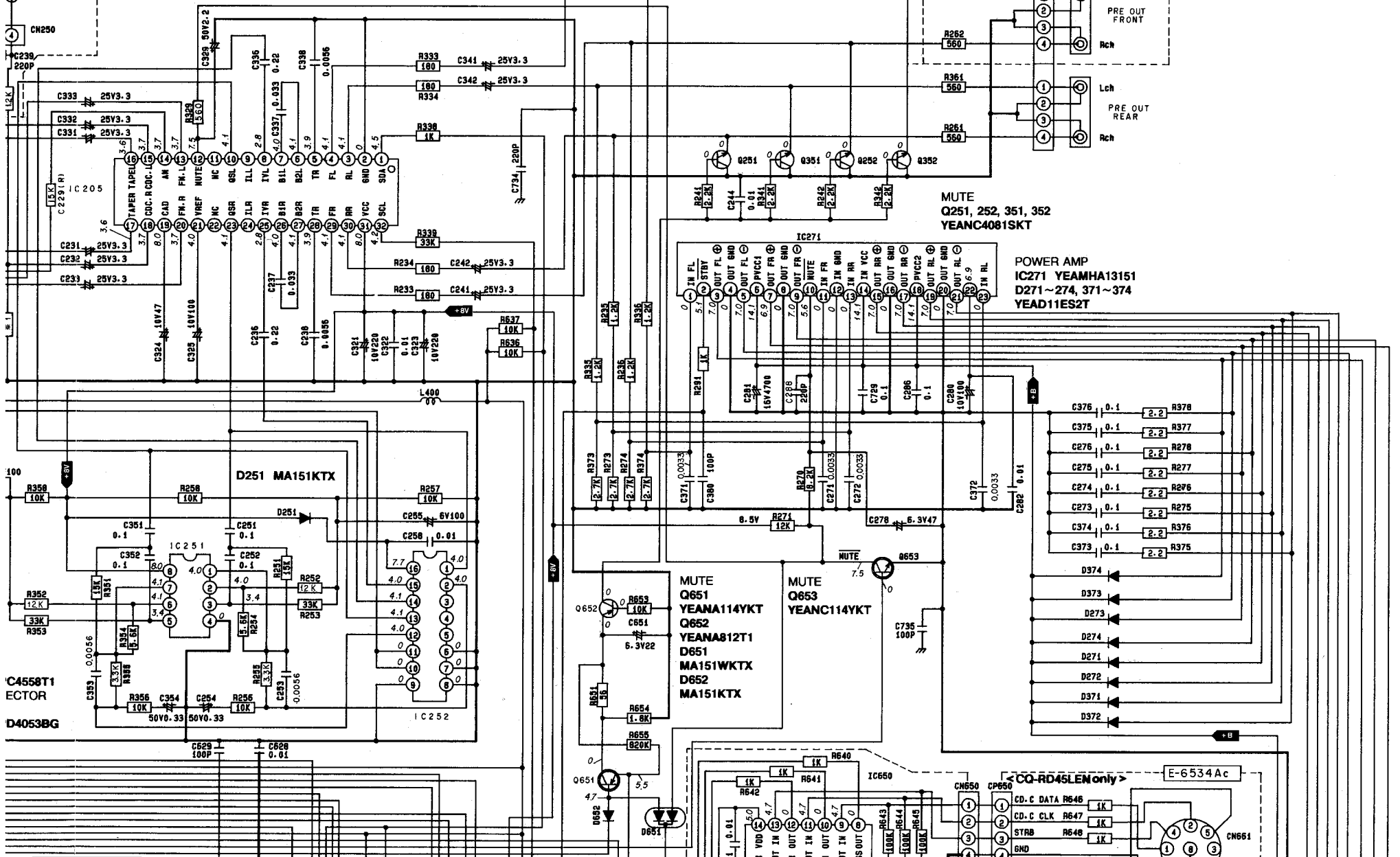
Removable Face High-Power Cassette / RDS Receiver

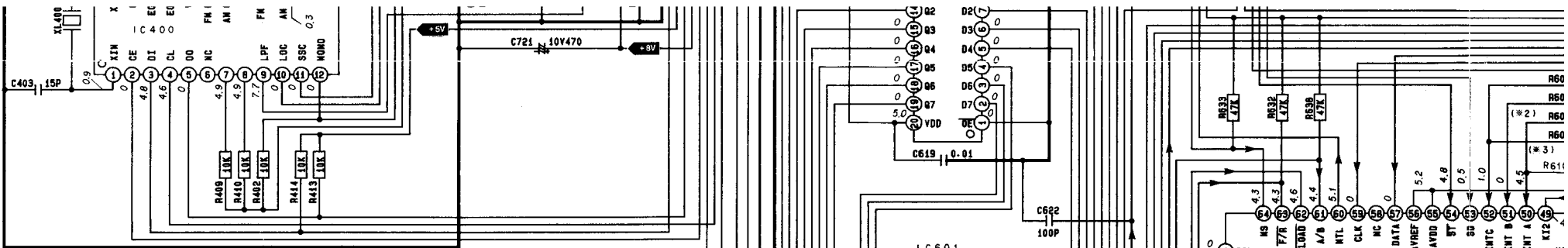


AUDIO

ELECTRIC VOLUME CONTROL
IC250 YEAMEA6320TT

< CQ-RD45LEN only >

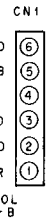
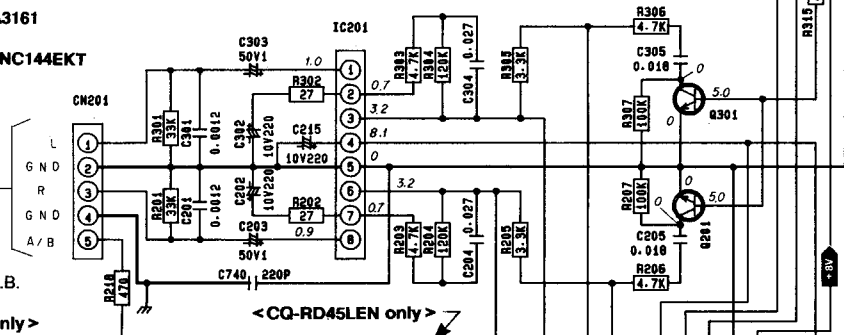




TAPE EQ AMP
IC201 YEAMLA3161
MTL
Q201, 301 YEANC144EKT

To
 Tape Head P.C.B.
 E-7542
 CNP1

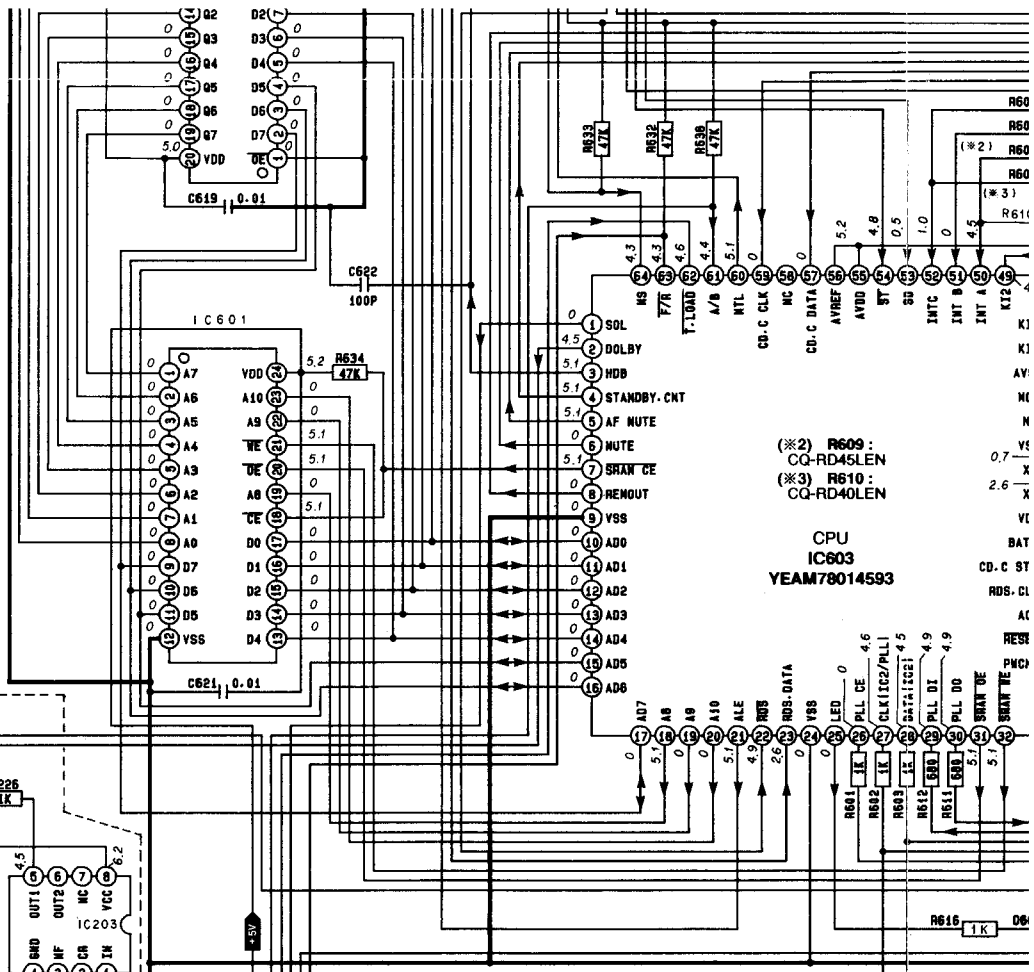
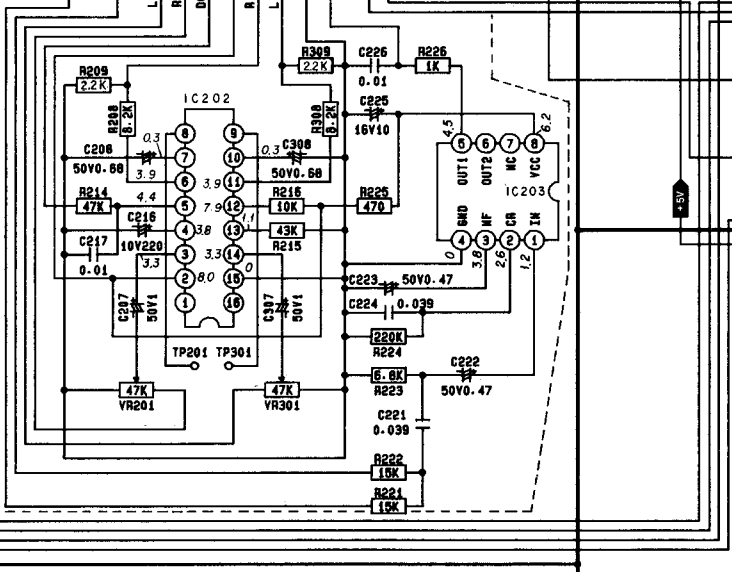
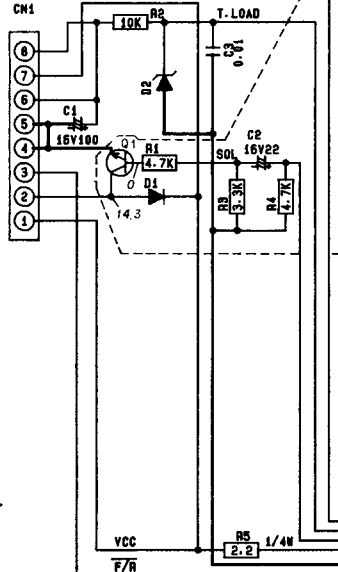
To Tape Deck P.C.B.
 E-1940 CP701
 <CQ-RD40LEN only>



To Tape Deck P.C.B.
 E-1940 CP701
 <CQ-RD45LEN only>

SOL DRIVER
Q1 YEAN2SD1111
D1 YEADD5M1A2T7
D2 YEADR51M2T2

DOLBY
IC202 YEAMCX1102MT
MS
IC203 YEAMLA2000M



(*) R609:
 CQ-RD45LEN
 (**) R610:
 CQ-RD40LEN

CPU
IC603
YEAM78014593

S-RAM
IC601 YEAM3517ML15
D621~623 MA8056LMHTX
D624 MA8091LMHTX

LED
D601 LN25

